

amag

Innovating since 1957

WATERTRUCK



AM 3-16 | AM 4-23

<http://amag.de>



AQUAMAT

HIGHLIGHTS



- 0-17m Spraywidths infinitely variable administered from driver's cabin
- Dispenses water in forward and reverse
- Sideways dispensing possible for post-treatment



- Road legal up to 88km/h
- Low center of gravity and custom baffles for stability when moving



- Up to 9m intake height
- High power pump 23 m³ water in under 6 minutes

| Technical Data | AM 3-16 | AM 4-23 |
|---------------------------------------|--------------------------|-------------------------|
| Vehicle | MAN TGS | |
| Engine | D26 | |
| Cylinder | 6 | |
| Displacement | 12.5 l | |
| Power | 480 PS | |
| Torque | 2300 Nm | |
| Fuel | 400l Diesel / 35l AdBlue | |
| Unladen weight | 14.5 t | 16.5 t |
| Total permissible weight StVO | 26 t | 32 t |
| Total permissible weight manufacturer | 33 t | 41 t |
| Trailer weight | 40 t | |
| Electrical system | 24V | |
| Dimensions L x B x H | 7.292 x 2.530 x 3.278 m | 8.453 x 2.530 x 3.294 m |

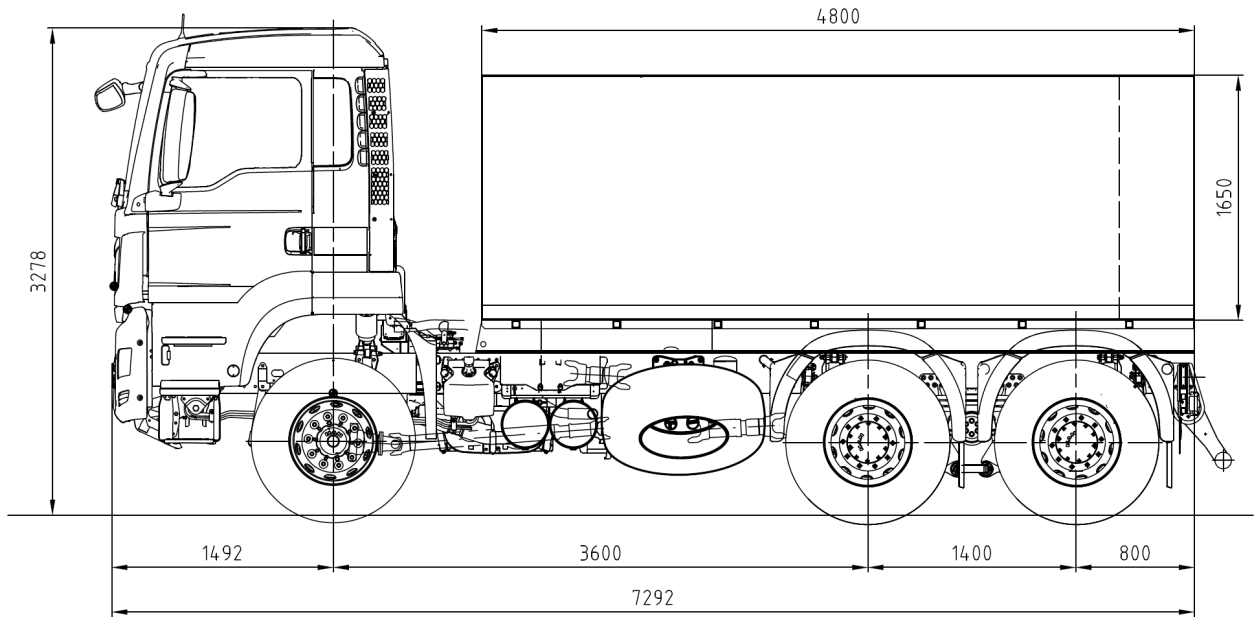
| Equipment | AM 3-16 | AM 4-23 |
|--|---------------------|---------|
| Tank capacity | 16.000l | 23.000l |
| Hydraulic rotary pump 3000 l/min | ■ | |
| Tow interface | □ | |
| Rearview camera | ■ | |
| All-wheel-drive chassis, differential lock | □ | |
| Trailer interface | □ | |
| Side output | □ | |
| Spraybar road cleaning | □ | |
| Deck gun | □ | |
| Paintwork | RAL 9001 cremeweiss | |
| Custom paintwork | □ | |

■ Standard □ Optional

AM 3-16

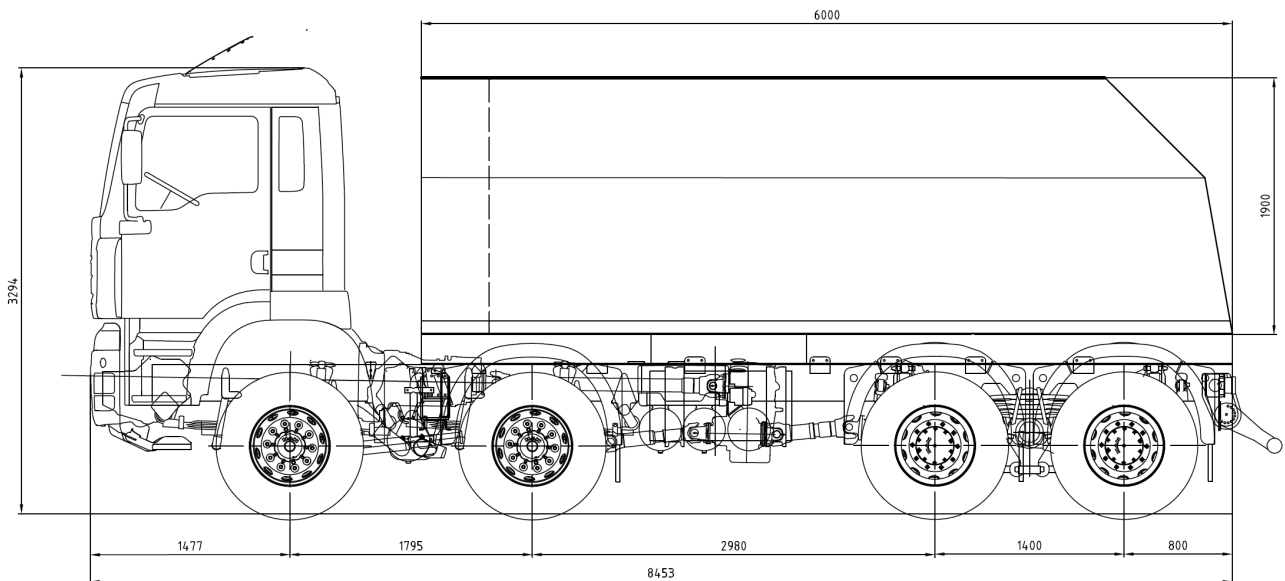
DIMENSIONS

3 axle
16m³ Capacity

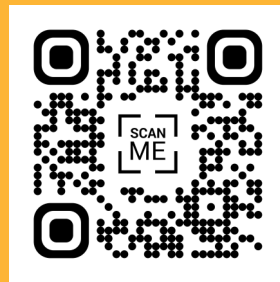


AM 4-23

4 axle
23m³ Capacity



Innovating since 1957



amag GmbH

Hauptstrasse 100
56745 Bell
Germany

+49-2652-93936-0
info@amag.de
<http://amag.de>

